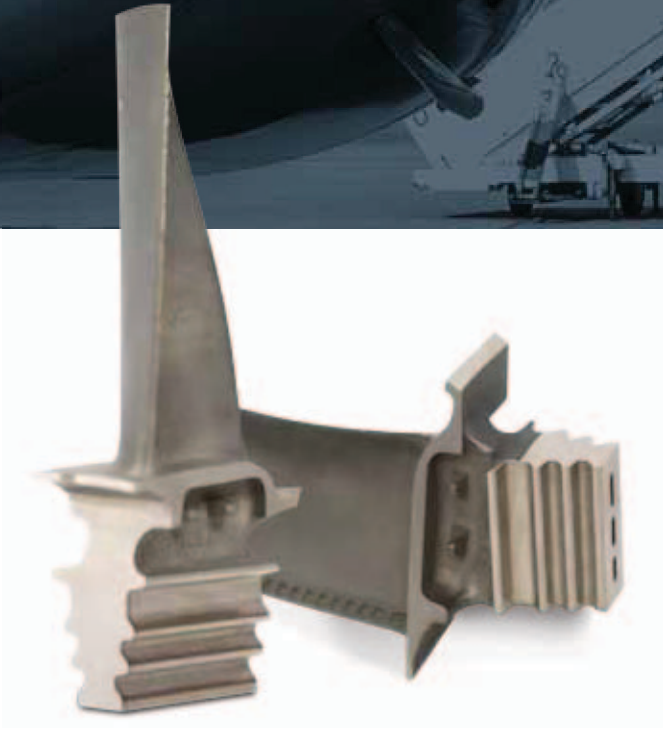




Rotary dresser for
Turbine



Rotary dresser
For turbine blade



Rotary dresser **Turbine blade**



Rotary dresser
For turbine blade



- **Turbine blade** : Aerospace turbine, power generator turbine & shipbuilding turbine

| Advantages |

- Custom roll design based on work piece
- Superior tool life and tool precision
- Stable dressing performance in creep feed grinding

